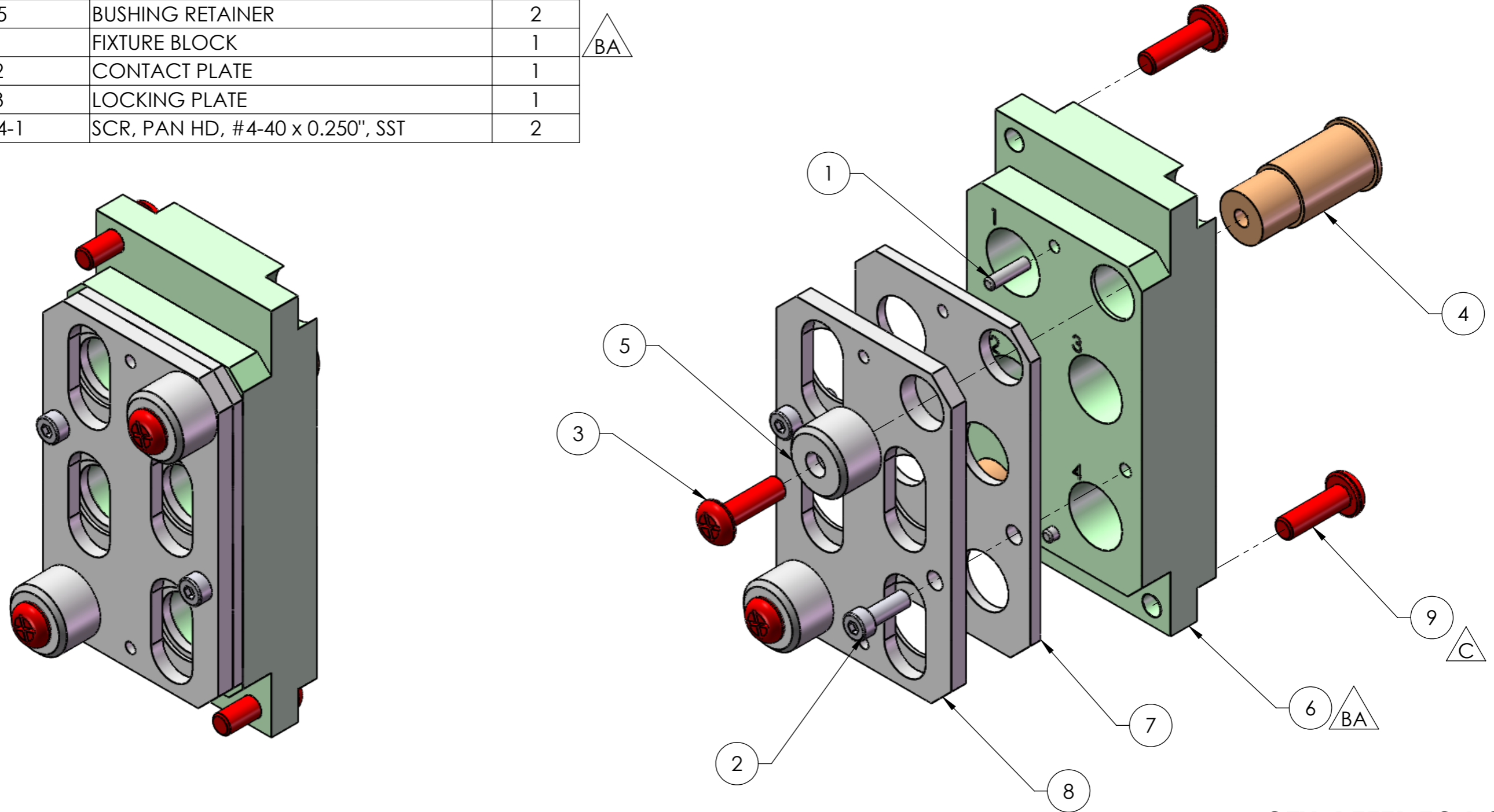


ITEM NO.	PART NUMBER	DESCRIPTION	QTY.
1	813499	PIN DOWEL .062 X .250 LONG	2
2	A17173-3	SCREW, SHCS #2-56 X 1/4	2
3	A19304-2	SCR, PAN HD, #4-40 x 0.375", SST	2
4	A31178	ALIGNMENT BUSHING FIXTURE BLOCK	2
5	A31875	BUSHING RETAINER	2
6	B31881	FIXTURE BLOCK	1
7	B31882	CONTACT PLATE	1
8	B31883	LOCKING PLATE	1
9	A19304-1	SCR, PAN HD, #4-40 x 0.250", SST	2

REV.	DESCRIPTION	DFT	DATE	ECR NO.
A	INITIAL RELEASE	YAN ZHANG	3/3/15	NIL
BA	UPDATE ECT LOGO	YAN ZHANG	11/9/2015	-
C	CHG'S ITEM 3 QUANTITY TO 2. ADDED ITEM 9, QUANTITY OF 2.	K.G.	11/7/2018	1066
D	ADDED AN "F" TO PART NUMBER IN TITLE BLOCK	K.G.	1/22/2019	1076

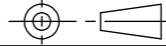


QTY: REFER TO BOM

PLEASE NOTE:
 1. DIMENSIONAL LIMITS APPLY AFTER TREATMENT.
 2. REMOVE ALL SHARP EDGES.
 3. -

THIS DOCUMENT IS THE PROPERTY OF, AND CONTAINS INFORMATION PROPRIETARY TO **EVERETT CHARLES TECHNOLOGIES**. IT IS TO BE RETURNED UPON REQUEST. REPRODUCTION BY ANY MEANS, DISCLOSURE OR USE OF ITS CONTENTS FOR WHICH IT IS LOANED, WITHOUT WRITTEN CONSENT OF EVERETT CHARLES TECHNOLOGIES IS STRICTLY PROHIBITED.

UNLESS OTHERWISE SPECIFIED:
 1. DIMENSIONS ARE IN INCHES
 2. DEBURR ALL SHARP EDGES: .01 x 45°
 3. DO NOT SCALE DRAWING
 4. TOLERANCES: . ANGLES ± 0.5°
 .XX ± 0.02
 .XXX ± 0.005
 .XXXX ± 0.0005
 5. MACHINING REQUIRED:

PROJECTION: 
 DRAWN BY: **YAN ZHANG**
 ENGR APVD
 MATERIAL
 TREATMENT



BLK161 KALLANG WAY #06-18/26
 SINGAPORE 349247
 TEL: (65) 62938966 FAX: (65) 62939866

TITLE				
VGFCB-4CF				
SIZE	SCALE	DOCUMENT NUMBER	SHEET	REV
A4	2:1	610	1 OF 1	D