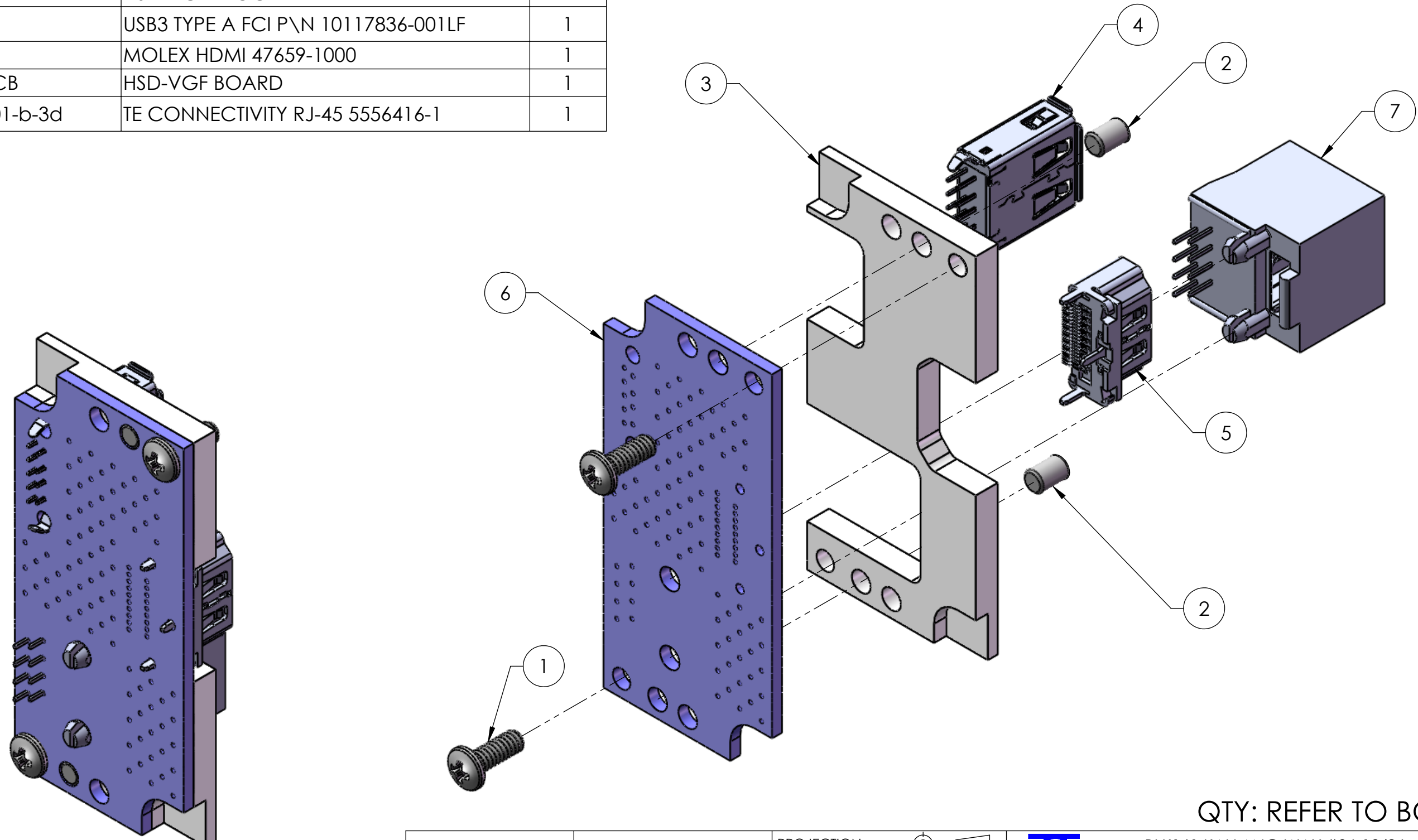


ITEM NO.	PART NUMBER	DESCRIPTION	QTY.
1	91735A103	Pan Head Phillips #4-40- 5/16"	2
2	98381A468	.125" x 3/16" DOWEL PIN	2
3	820320	HSD-VGF BLOCK	1
4	10117836	USB3 TYPE A FCI P\N 10117836-001LF	1
5	476591000	MOLEX HDMI 47659-1000	1
6	C26455A-PCB	HSD-VGF BOARD	1
7	c-5556416-01-b-3d	TE CONNECTIVITY RJ-45 5556416-1	1

REV.	DESCRIPTION	DFT	DATE	ECR NO.
A	INITIAL RELEASE	T DUFF	3/17/2016	NIL



QTY: REFER TO BOM

PLEASE NOTE:
 1. DIMENSIONAL LIMITS APPLY AFTER TREATMENT.
 2. REMOVE ALL SHARP EDGES.
 3. -

THIS DOCUMENT IS THE PROPERTY OF, AND CONTAINS INFORMATION PROPRIETARY TO EVERETT CHARLES TECHNOLOGIES. IT IS TO BE RETURNED UPON REQUEST. REPRODUCTION BY ANY MEANS, DISCLOSURE OR USE OF ITS CONTENTS FOR WHICH IT IS LOANED, WITHOUT WRITTEN CONSENT OF EVERETT CHARLES TECHNOLOGIES IS STRICTLY PROHIBITED.

UNLESS OTHERWISE SPECIFIED:
 1. DIMENSIONS ARE IN MILLIMETER
 2. DEBURR ALL SHARP EDGES: C0.5
 3. DO NOT SCALE DRAWING
 4. TOLERANCES: .ANGLES ± 0.5°
 X ± 0.2
 .X ± 0.1
 .XX ± 0.05
 .XXX ± 0.01
 5. MACHINING REQUIRED:

PROJECTION:	
DRAWN BY:	T DUFF
ENGR APVD	
MATERIAL	See BOM
TREATMENT	N/A



BLK161 KALLANG WAY #06-18/26
 SINGAPORE 349247
 TEL: (65) 62938966 FAX: (65) 62939866

TITLE					HSD-VGF				
SIZE	SCALE	DOCUMENT NUMBER	SHEET	REV					
A4	2:1	820921	1 OF 1	A					