

CSP-30ES-013

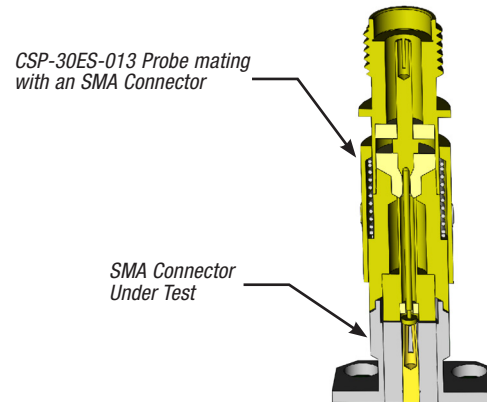
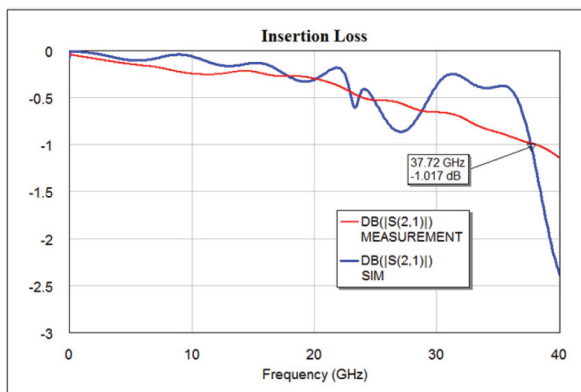
With the addition of the CSP-30ES-013 high performance Radio Frequency probe, ECT adds to its industry proven high speed test interface portfolio. The probe incorporates several innovative features that result in superior performance and ease of use. The CSP-30ES-013 was specifically designed to mate with SMA connectors. With a bandwidth in excess of 20 GHz @ -1dB the CSP-30ES-013 offers outstanding signal integrity and measurement capability.

The CSP-30ES-013 provides spring loaded compliance for both the center signal probe and outer housing that provides ground contact. The CSP-30ES-013 features an easy to replace center conductor probe. The knurl housing feature provides for easy and reliable press fit mounting.

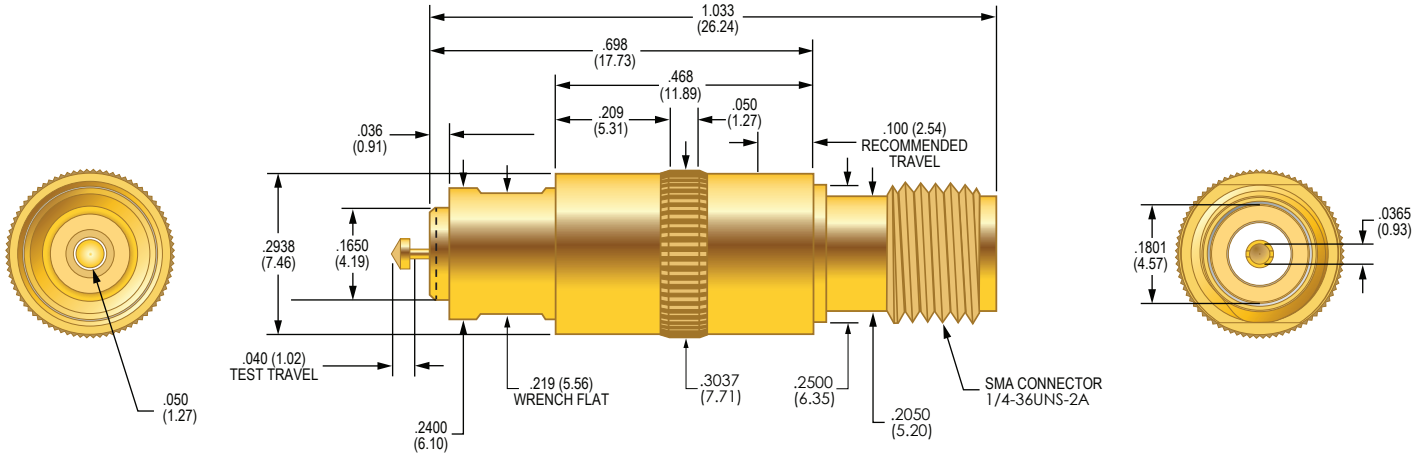
The CSP-30ES-013 coaxial probe provides instrumentation-quality interface for broadband R.F. measurements in excess of 20 GHz. With the CSP-30ES-013 R.F. circuit design, impedance characterization measurements can be performed in both high volume testing or engineering lab environments. Accurate and repeatable small signal and R.F. power (50 Watts) measurements provide consistent and repeatable results.

CSP-30ES Benefits Summary

- Probe mates to standard SMA connectors
- Easy to replace inner probe: SPL-30E-030
- Articulated contact allows for targeting errors
- Ideal for high volume production or engineering lab test
- Incorporates spring probes in an open architecture format
- Proven RF measurements in excess of 20 GHz
- Consistent 50 Ohm impedance
- Rugged design for inline applications



CSP-30ES-013



Mechanical

Recommended Travel:	.100 (2.54)
Recommended Travel inner conductor:	.040 (1.02)
Recommended Travel outer conductor:	.100 (2.54)
Full Travel:	.200 (5.08)
Operating Temperature:	-55°C to 85°C
Connection (instrument side):	SMA Connector, 1/4 -36UNS-2A

Materials and Finishes

Housing:	Brass, Gold plated
Dielectric:	Rexolite
Spring:	Stainless Steel, Gold plated over hard Nickel

Mounting

Hole diameter:	Ø.297 (7.54)
----------------	--------------

Replaceable Probes

Order Number (CSP-30ES-013):	SPL-30E-030
------------------------------	-------------

Applications

Designed for use in interconnect applications where signal integrity is required, such as accessing high frequency RF connectors on circuit boards. Can also be used as R.F. mating connector.

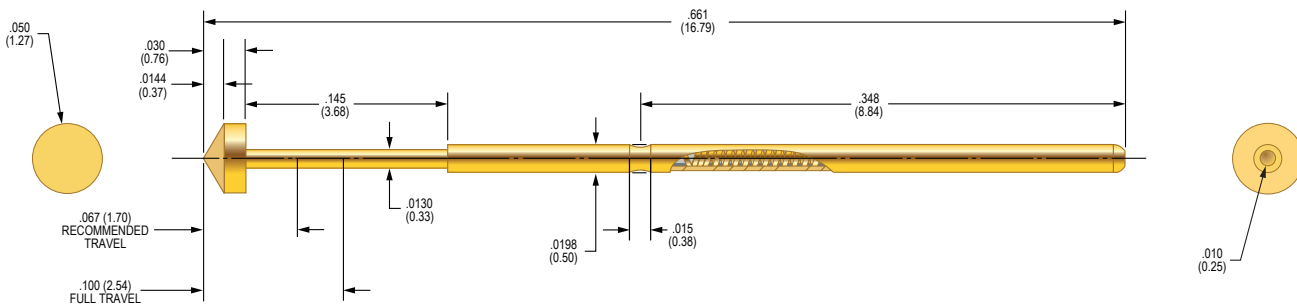
Spring Force in oz. (grams)

	Order Code	Preload	Rec. Travel
Standard	CSP-30ES-013	3.06 (86.7)	4.0 (113.4)

Electrical (Static Conditions)

Nominal Impedance:	50 Ohms
Average Probe Resistance:	<50 mOhms
Bandwidth @ -1 dB:	>20 GHz

Replaceable probe: SPL-30E-030



Dimensions in inches (mm)